



Manufacturer's Lamp Cross Reference

Sylvania	Osram	Philips	GE
T5 FHE Luxline® Plus	Lumilux FH	TL5 HE	T5 Starcoat HE
T5 FHO Luxline® Plus	Lumilux FQ	TL5 HO	T5 Starcoat HO
T5 Standard	Basic T5 TL-Mini Standard	T5 Miniature	Standard
T5 Luxline® Plus	Lumilux T5 TL-Mini Pro 80	T5 Miniature	Polylux
T8 Standard	Basic T8	TL-D Standard	T8 Standard
T8 Luxline® Plus	Lumilux T8	TL-D Super 80	T8 Polylux
T8 Luxline® Plus Reflector	–	TL-D Reflex	–
T8 Luxline® Plus Shatter-Resistant	Splinter Protection	TL-D Secura	T8 Cov-R-Guard Polylux
T12 Standard	S-Type	TL-RS	T12 Standard
T12 IRS	SA-Type	TL-M RS T12	Rapid Start
T12 Reflector	–	–	–
Circline	Circular	TL-E Standard	Circline
Activa	Biolux	–	–
Gourmet	Natura	TL-D Shoplight	–

FLUORESCENT TUBES



T5 LAMPS

T5 FHE Luxline® Plus	118	T5 Standard / Luxline® Plus	120	118-121
T5 FHO Luxline® Plus	119	T5 Emergency	121	



T8 LAMPS

T8 Luxline® Plus	122	T8 Luxline® Plus Shatter-Resistant	126	122-127
T8 Special Length Standard	123	T8 Coloured	127	
T8 Luxline® Plus Special Length	124			
T8 Luxline® Plus Reflector	125			



T12 LAMPS

T12 Standard	128	T12 IRS	130	128-131
T12 Standard/Luxline® Plus	129	T2 Luxline® Slim	131	



T8 ECO LAMPS

T8 Luxline® Eco	132			132
-----------------	-----	--	--	------------



T8 SUPERCOLOUR LAMPS

T8 Luxline® Supercolour	133			133
-------------------------	-----	--	--	------------



CIRCULAR LAMPS

T9 Circline Plus	134	Cop safety Starters	136	134-136
FS Standard Starters	135			

TECHNICAL DATA

Circuit Diagrams	137	Spectral Power Distribution	139	137-139
Operational Characteristics	138			



The key benefits of fluorescent tubes are well known – proven energy efficiency, long life and a wide choice of sizes, shapes and colours.

The introduction of improved phosphor coatings, the more efficient T8 tubes and the new generation of T5 tubes have brought significant improvements in lamp efficacy and colour rendering, lumen maintenance and life.

Sylvania engineers have always been at the forefront of these developments, and in caring for the environment, by continually introducing innovative products and improvements in lamp manufacture, technology and performance.

Sylvania offers a comprehensive range of high efficiency fluorescent tubes in various lengths, diameters, wattages and colours, including tubes for specialist applications.

The improved technology of the Luxline® Plus triphosphor coating guarantees excellent colour rendering, high luminous flux and high lamp efficacy (lumen per watt). The average life of up to 24000 hours allows longer replacement intervals which has a positive impact to your on maintenance costs.

All of these advantages meaning that Sylvania Luxline Plus triphosphor tubes and Supercolour multi-phosphor tubes should always be the first choice for all new installations, particularly when used in fixtures incorporating electronic control gear, and be used in place of T12 and T8 halophosphor tubes when re-lamping.





T5 LUXLINE PLUS HE/HO LAMPS:

A range of narrow diameter fluorescent lamps for use in narrow profile modern T5 fixtures. Incorporating Sylvania Luxline Plus triphosphor technology they achieve high colour rendering together with long life and extremely high energy efficiencies, meaning great quality light with low cost to the user and the environment.



T8 LUXLINE PLUS:

A range of T8 fluorescent lamps for use with general lighting applications. Incorporating Sylvania Luxline Plus triphosphor technology they achieve high colour rendering together with long life and high energy efficiencies, meaning great quality light with low cost to the user and the environment.



T12 STANDARD / LUXLINE PLUS:

A range of T12 fluorescent lamps for use with older T12 fixtures in general lighting applications. Luxline Plus types incorporating Sylvania Luxline Plus triphosphor technology to achieve high colour rendering together with long life and high energy efficiencies, meaning more, better quality light light for longer with no additional energy cost.



T9 CIRCLINE PLUS:

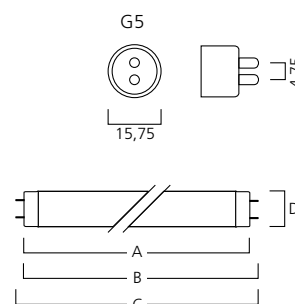
A range of T9 Circular fluorescent lamps for use with older T9 fixtures in general lighting applications. Incorporating Sylvania Circline Plus triphosphor technology they achieve high colour rendering together with long life and high energy efficiencies, meaning more, better quality light light for longer with no additional energy cost.

T5 FHE Luxline® Plus



- T5 FHE Luxline Plus triphosphor lamp ideal solution for new, slim, aesthetic luminaires
- Average life time of 24,000 hours with pre-heating ballast
- High luminous efficacy of up to 104 lm/W.
- Energy savings of up to 25% compared to a T8 tube
- For electronic ballast operation only
- Optimum luminous flux at an ambient temperature of approx 35°C
- Almost constant lumen maintenance throughout the entire lamp life due to Luxline Plus triphosphor technology

	A	B	B	C	D
	max	min	max	max	nom
14W	549	553.7	556.1	563.2	16
21W	849	853.7	856.1	863.2	16
28W	1149	1153.7	1156.1	1163.2	16
35W	1449	1453.7	1456.1	1463.2	16



T5 FHE LUXLINE® PLUS

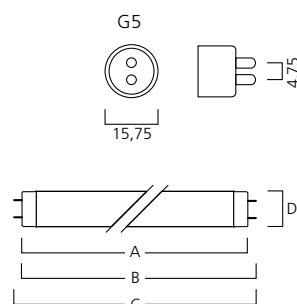
Code	Description	Nominal Lamp			Cap to Cap Lamp Length	CRI Group	Cap	Luminous Colour Temp	Luminous Flux Nominal at 25°	Flux Max 34-38°	Packing Qty.
		Watt	Volt	Current							
T5 FHE Luxline Plus Homelight De Luxe (827)											
0002798	FHE 14W/827	14W	86V	0.165A	549mm	1B	G5	2700K	1230 lm	1350 lm	25
0002799	FHE 21W/827	21W	126V	0.165A	849mm	1B	G5	2700K	1910 lm	2100 lm	25
0002800	FHE 28W/827	28W	166V	0.170A	1149mm	1B	G5	2700K	2640 lm	2900 lm	25
0002801	FHE 35W/827	35W	205V	0.175A	1449mm	1B	G5	2700K	3320 lm	3650 lm	25
T5 FHE Luxline Plus Warm White De Luxe (830)											
0002760	FHE 14W/830	14W	86V	0.165A	549mm	1B	G5	3000K	1230 lm	1350 lm	25
0002763	FHE 21W/830	21W	126V	0.165A	849mm	1B	G5	3000K	1910 lm	2100 lm	25
0002766	FHE 28W/830	28W	166V	0.170A	1149mm	1B	G5	3000K	2640 lm	2900 lm	25
0002769	FHE 35W/830	35W	205V	0.175A	1449mm	1B	G5	3000K	3320 lm	3650 lm	25
T5 FHE Luxline Plus White De Luxe (835)											
0002787	FHE 14W/835	14W	86V	0.165A	549mm	1B	G5	3500K	1230 lm	1350 lm	25
0002788	FHE 21W/835	21W	126V	0.165A	849mm	1B	G5	3500K	1910 lm	2100 lm	25
0002789	FHE 28W/835	28W	166V	0.170A	1149mm	1B	G5	3500K	2640 lm	2900 lm	25
0002790	FHE 35W/835	35W	205V	0.175A	1449mm	1B	G5	3500K	3320 lm	3650 lm	25
T5 FHE Luxline Plus Cool White De Luxe (840)											
0002761	FHE 14W/840	14W	86V	0.165A	549mm	1B	G5	4000K	1230 lm	1350 lm	25
0002764	FHE 21W/840	21W	126V	0.165A	849mm	1B	G5	4000K	1910 lm	2100 lm	25
0002767	FHE 28W/840	28W	166V	0.170A	1149mm	1B	G5	4000K	2640 lm	2900 lm	25
0002770	FHE 35W/840	35W	205V	0.175A	1449mm	1B	G5	4000K	3320 lm	2900 lm	25
T5 FHE Luxline Plus Daylight De Luxe (865)											
0002762	FHE 14W/865	14W	86V	0.165A	549mm	1B	G5	6500K	1140 lm	1250 lm	25
0002765	FHE 21W/865	21W	126V	0.165A	849mm	1B	G5	6500K	1775 lm	1950 lm	25
0002768	FHE 28W/865	28W	166V	0.170A	1149mm	1B	G5	6500K	2460 lm	2700 lm	25
0002771	FHE 35W/865	35W	205V	0.175A	1449mm	1B	G5	6500K	3095 lm	3400 lm	25

T5 FHO Luxline® Plus



- The T5 FHO Luxline Plus triphosphor lamp is the ideal solution for indirect and direct lighting, i.e. industrial lighting systems with high ceilings
- Average life time of 24,000 hours with pre-heating ballast
- For applications where a high luminous flux is required (up to 7000 lm per lamp)
- High colour rendering (Ra85/Class 1B)
- For electronic ballast operation only
- Optimum luminous flux at an ambient temperature of approx 35°C

	A max	B min	B max	C max	D nom
24W	549	553.7	556.1	563.2	16
39W	849	853.7	856.1	863.2	16
49W	1449	1453.7	1456.1	1463.2	16
54W	1149	1153.7	1156.1	1163.2	16
80W	1449	1453.7	1456.1	1463.2	16



T5 FHO LUXLINE® PLUS

Code	Description	Nominal Lamp			Cap to Cap Lamp Length	CRI Group	Cap	Luminous Colour Temp	Luminous Flux Nominal at 25°	Flux Max 34-38°	Packing Qty.
		Watt	Volt	Current							
T5 FHO Luxline Plus Home light De Luxe (827)											
0002802	FHO 24W/827	24W	77V	0.295A	549mm	1B	G5	2700K	1700 lm	2000 lm	25
0002803	FHO 39W/827	39W	118V	0.325A	849mm	1B	G5	2700K	3220 lm	3500 lm	25
0002805	FHO 54W/827	54W	120V	0.455A	1149mm	1B	G5	2700K	4450 lm	5000 lm	25
0002804	FHO 49W/827	49W	195V	0.255A	1449mm	1B	G5	2700K	4165 lm	4900 lm	25
0002806	FHO 80W/827	80W	152V	0.530A	1449mm	1B	G5	2700K	6150 lm	7000 lm	25
T5 FHO Luxline Plus Warm White De Luxe (830)											
0002772	FHO 24W/830	24W	77V	0.295A	549mm	1B	G5	3000K	1700 lm	2000 lm	25
0002775	FHO 39W/830	39W	118V	0.325A	849mm	1B	G5	3000K	3220 lm	3500 lm	25
0002781	FHO 54W/830	54W	120V	0.455A	1149mm	1B	G5	3000K	4450 lm	5000 lm	25
0002778	FHO 49W/830	49W	195V	0.255A	1449mm	1B	G5	3000K	4165 lm	4900 lm	25
0002784	FHO 80W/830	80W	152V	0.530A	1449mm	1B	G5	3000K	6150 lm	7000 lm	25
T5 FHO Luxline Plus White De Luxe (835)											
0002791	FHO 24W/835	24W	77V	0.295A	549mm	1B	G5	3500K	1700 lm	2000 lm	25
0002792	FHO 39W/835	39W	118V	0.325A	849mm	1B	G5	3500K	3220 lm	3500 lm	25
0002794	FHO 54W/835	54W	120V	0.455A	1149mm	1B	G5	3500K	4450 lm	5000 lm	25
0002793	FHO 49W/835	49W	195V	0.255A	1449mm	1B	G5	3500K	4165 lm	4900 lm	25
T5 FHO Luxline Plus Cool White De Luxe (840)											
0002773	FHO 24W/840	24W	77V	0.295A	549mm	1B	G5	4000K	1700 lm	2000 lm	25
0002776	FHO 39W/840	39W	118V	0.325A	849mm	1B	G5	4000K	3220 lm	3500 lm	25
0002782	FHO 54W/840	54W	120V	0.455A	1149mm	1B	G5	4000K	4450 lm	5000 lm	25
0002777	FHO 49W/840	49W	195V	0.255A	1449mm	1B	G5	4000K	4165 lm	4900 lm	25
0002785	FHO 80W/840	80W	152V	0.530A	1449mm	1B	G5	4000K	6150 lm	7000 lm	25
T5 FHO Luxline Plus Daylight De Luxe (865)											
0002774	FHO 24W/865	24W	77V	0.295A	549mm	1B	G5	6500K	1570 lm	1850 lm	25
0002779	FHO 39W/865	39W	118V	0.325A	849mm	1B	G5	6500K	2990 lm	3250 lm	25
0002783	FHO 54W/865	54W	120V	0.455A	1149mm	1B	G5	6500K	4050 lm	4550 lm	25
0002780	FHO 49W/865	49W	195V	0.255A	1449mm	1B	G5	6500K	3950 lm	4650 lm	25
0002786	FHO 80W/865	80W	152V	0.530A	1449mm	1B	G5	6500K	5700 lm	6650 lm	25

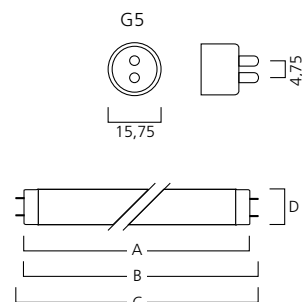
T5

Standard / Luxline® Plus



- 16mm fluorescent lamps in Standard and Luxline Plus colours
- For applications where space is limited
- Ideal solution for furniture, showcases, bathroom cabinets, transportation and leisure applications
- For higher colour rendering index we recommend fluorescent T5 Short Luxline Plus (6W and 8W)

	A	B	B	C	D
	max	min	max	max	nom
4W	135.9	140.6	143.0	150.1	16
6W	212.1	216.8	219.2	226.3	16
8W	288.3	293.0	295.4	302.5	16
13W	516.9	521.6	524.0	531.1	16



T5 STANDARD LUXLINE® PLUS

Code	Description	Watt	Nominal Lamp Volt	Current	Cap to Cap Lamp Length	CRI Group	Cap	Luminous Colour Temp	Luminous Flux	Packing Qty.
T5 Standard Warm White (29-530)										
0000014	F6W/29-530	6W	42V	0.160A	212mm	3	G5	3000K	280 lm	25
0000382	F8W/29-530	8W	56V	0.145A	288mm	3	G5	3000K	400 lm	25
0000032	F13W/29-530	13W	95V	0.165A	517mm	3	G5	3000K	880 lm	25
T5 Standard White (35-535)										
0000002	F4W/35-535	4W	29V	0.170A	136mm	3	G5	3500K	140 lm	25
0000012	F6W/35-535	6W	42V	0.160A	212mm	3	G5	3500K	280 lm	25
0000020	F8W/35-535	8W	56V	0.145A	288mm	3	G5	3500K	400 lm	25
0000030	F13W/35-535	13W	95V	0.165A	517mm	3	G5	3500K	880 lm	25
T5 Standard Cool White (33-640)										
0000003	F4W/33-640	4W	29V	0.170A	136mm	2B	G5	4000K	140 lm	25
0000013	F6W/33-640	6W	42V	0.160A	212mm	2B	G5	4000K	280 lm	25
0000021	F8W/33-640	8W	56V	0.145A	288mm	2B	G5	4000K	400 lm	25
0000031	F13W/33-640	13W	95V	0.165A	517mm	2B	G5	4000K	880 lm	25
T5 Standard Daylight (54-765)										
0000001	F4W/54-765	4W	29V	0.170A	136mm	2A	G5	6500K	115 lm	25
0000011	F6W/54-765	6W	42V	0.160A	212mm	2A	G5	6500K	240 lm	25
0000019	F8W/54-765	8W	56V	0.145A	288mm	2A	G5	6500K	340 lm	25
0000029	F13W/54-765	13W	95V	0.165A	517mm	2A	G5	6500K	750 lm	25
T5 Luxline Plus Cool White De Luxe (840)										
0005941	F6W-840	6W	42V	0.160A	212mm	1B	G5	4000K	320 lm	200
0005938	F8W-840	8W	56V	0.145A	288mm	1B	G5	4000K	500 lm	200

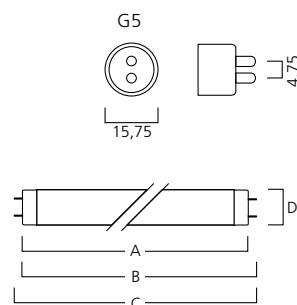
T5 EMERGENCY

Standard / Luxline® Plus



- 16mm fluorescent lamps in Standard and Luxline Plus colours
- For exclusive use in emergency lighting luminaires
- Only for operation by battery with electronic ballast (low lamp currents)
- Reliable ignition with compatible ballast
- Luminous flux dependant on individual ballast

	A max	B min	B max	C max	D nom
6W	212.1	216.8	219.2	226.3	16
8W	288.3	293.0	295.4	302.5	16



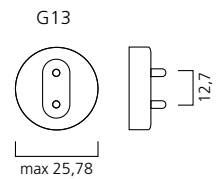
T5 EMERGENCY

Code	Description	Watt	Nominal Lamp Volt	Single Lamp Current	Cap to Cap Lamp Length	CRI Group	Cap	Luminous Colour Temp	Luminous Flux	Packing Qty.
T5 Emergency Warm White (29-530)										
0001901	F6W/29-530	6W	48V	0.040A	212mm	3	G5	3000K	-	200
T5 Emergency Cool White (33-640)										
0001900	F6W/33-640	6W	48V	0.040A	212mm	2B	G5	4000K	-	200
0001905	F8W/33-640	8W	71V	0.040A	288mm	2B	G5	4000K	-	200
T5 Emergency Daylight (54-765)										
0001902	F6W/54-765	6W	48V	0.040A	212mm	2A	G5	6500K	-	200
0001908	F8W/54-765	8W	71V	0.040A	288mm	2A	G5	6500K	-	200
T5 Emergency Cool White De Luxe (840) Luxline Plus										
0001909	F6W/840	6W	48V	0.040A	212mm	1B	G5	4000K	-	200
0001907	F8W/840	8W	71V	0.040A	288mm	1B	G5	4000K	-	200

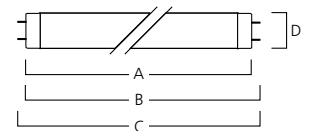
T8 Luxline® Plus



- T8 fluorescent lamp with high colour rendering and excellent lumen maintenance
- Colour rendering: Ra80-89/Class 1B
- High luminous efficacy
- Average rated life 20000 hours (based on 3hrs burning cycle)
- Operates on conventional and electronic ballasts
- Meets the lighting requirements as specified in the European Standard EN 12464-1 for workplaces



	A	B	B	C	D
	max	min	max	max	nom
18W	589.8	594.5	596.9	604.0	26
36W	1199.4	1204.1	1206.5	1213.6	26
58W	1500.0	1504.7	1507.1	1514.2	26
70W	1763.8	1768.5	1770.9	1778.0	26



T8 LUXLINE® PLUS

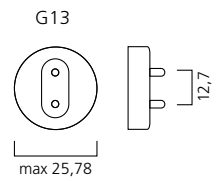
Code	Description	Watt	Nominal Lamp Volt	Current	Cap to Cap Lamp Length	CRI Group	Cap	Luminous Colour Temp	Luminous Flux	Packing Qty.
T8 LuxLine Plus Homelight De Luxe (827)										
0001505	F18W/827	18W	57V	0.370A	590mm	1B	G13	2700K	1350 lm	25
0001514	F36W/827	36W	103V	0.430A	1200mm	1B	G13	2700K	3350 lm	25
0001535	F58W/827	58W	110V	0.670A	1500mm	1B	G13	2700K	5200 lm	25
0000582	F70W/827	70W	128V	0.700A	1764mm	1B	G13	2700K	6000 lm	25
T8 LuxLine Plus Warm White De Luxe (830)										
0001501	F18W/830	18W	57V	0.370A	590mm	1B	G13	3000K	1350 lm	25
0001511	F36W/830	36W	103V	0.430A	1200mm	1B	G13	3000K	3350 lm	25
0001531	F58W/830	58W	110V	0.670A	1500mm	1B	G13	3000K	5200 lm	25
0001093	F70W/830	70W	128V	0.700A	1764mm	1B	G13	3000K	6000 lm	25
T8 LuxLine Plus White De Luxe (835)										
0000580	F18W/835	18W	57V	0.370A	590mm	1B	G13	3500K	1350 lm	25
0000578	F36W/835	36W	103V	0.430A	1200mm	1B	G13	3500K	3350 lm	25
0001394	F58W/835	58W	110V	0.670A	1500mm	1B	G13	3500K	5200 lm	25
0000581	F70W/835	70W	128V	0.700A	1764mm	1B	G13	3500K	6000 lm	25
T8 LuxLine Plus Cool White De Luxe (840)										
0001500	F18W/840	18W	57V	0.370A	590mm	1B	G13	4000K	1350 lm	25
0001510	F36W/840	36W	103V	0.430A	1200mm	1B	G13	4000K	3350 lm	25
0001530	F58W/840	58W	110V	0.670A	1500mm	1B	G13	4000K	5200 lm	25
0001094	F70W/840	70W	128V	0.700A	1764mm	1B	G13	4000K	6000 lm	25
T8 LuxLine Plus Daylight De Luxe (865)										
0001502	F18W/865	18W	57V	0.370A	590mm	1B	G13	6500K	1300 lm	25
0001512	F36W/865	36W	103V	0.430A	1200mm	1B	G13	6500K	3250 lm	25
0001532	F58W/865	58W	110V	0.670A	1500mm	1B	G13	6500K	5000 lm	25
0001095	F70W/865	70W	128V	0.700A	1764mm	1B	G13	6500K	5700 lm	25

T8

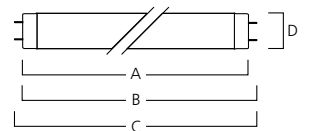
Special Length Standard



- Standard T8 fluorescent lamps with a wide range of special wattages in standard colours
- Colour rendering: Ra50-79/Class 3-2A
- Suitable for areas where people are not engaged in work for long periods of time (EN 12464-1)
- For new installations or replacements we recommend T8 Luxline Plus where possible
- Not intended for use in general lighting applications. Intended for special applications including furniture, electrical distribution cabinets, signage and train carriages.



	A max	B min	B max	C max	D nom
14W	361.2	365.8	368.3	375.4	26
36W/1m	970.0	974.1	977.1	984.2	26



T8 SPECIAL LENGTH STANDARD

Code	Description	Nominal Watt	Nominal Lamp Volt	Current	Cap to Cap Lamp Length	CRI Group	Cap	Luminous Colour Temp	Luminous Flux	Packing Qty.
T8 Special Length Universal White (25-740)										
0001508	F36W/25-740/1M	36W	80V	0.560A	970mm	2A	G13	4000K	2500 lm	25
T8 Special Length Warm White (29-530)										
0000040	F14W/29-530	14W	38V	0.395A	361mm	3	G13	3000K	700 lm	25
T8 Special Length Cool White (33-640)										
0000039	F14W/33-640	14W	38V	0.395A	361mm	2B	G13	4000K	700 lm	25
T8 Special Length Daylight (54-765)										
0000037	F14W/54-765	14W	38V	0.395A	361mm	2A	G13	6500K	650 lm	25



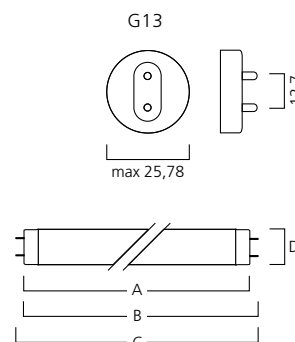
T8

Luxline® Plus Special Length



- T8 fluorescent lamp with high colour rendering and excellent lumen maintenance
- Colour rendering: Ra80-89/Class 1B
- High luminous efficacy
- Average rated life 20000 hours (based on 3hrs burning cycle)
- Operates on conventional and electronic ballasts

	A max	B min	B max	C max	D nom
15W	437.4	442.1	444.5	451.6	26
16W	720.0	724.7	727.1	734.2	26
25W 28"	691.4	696.1	698.5	705.6	26
25W 30"	742.2	746.9	749.3	756.4	26
25W 33"	818.4	823.1	825.5	832.6	26
30W	894.6	899.3	901.7	908.8	26
36W	970.0	974.1	977.1	984.2	26
38W	1047.0	1051.7	1054.1	1061.2	26



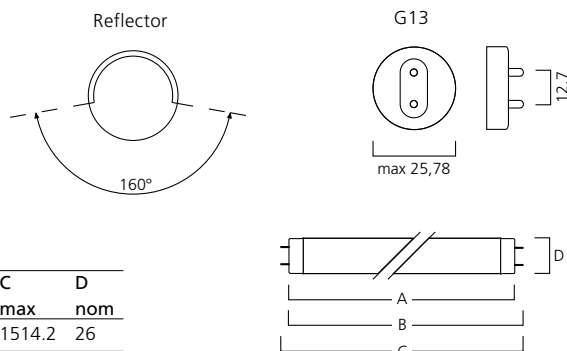
T8 LUXLINE® PLUS SPECIAL LENGTH

Code	Description	Nominal Watt	Nominal Lamp Volt	Current	Cap to Cap Lamp Length	CRI Group	Cap	Luminous Colour Temp	Luminous Flux	Packing Qty.
T8 Luxline Plus Special Length Homelight De Luxe (827)										
0001850	F15W/827	15W	55V	0.310A	438mm	1B	G13	2700K	950 lm	25
0001680	F30W/827	30W	96V	0.365A	895mm	1B	G13	2700K	2400 lm	25
T8 Luxline Plus Special Length Warm White De Luxe (830)										
0001853	F15W/830	15W	55V	0.310A	438mm	1B	G13	3000K	950 lm	25
0000870	F16W/830	16W	95V	0.200A	720mm	1B	G13	3000K	1200 lm	25
0000876	F25W/30"/830	25W	84V	0.360A	742mm/30"	1B	G13	3000K	2200 lm	25
0001079	F30W/830	30W	96V	0.365A	895mm	1B	G13	3000K	2400 lm	25
0001521	F38W/830	38W	104V	0.430A	1047mm	1B	G13	3000K	3200 lm	25
T8 Luxline Plus Special Length White De Luxe (835)										
0000566	F15W/835	15W	55V	0.310A	438mm	1B	G13	3500K	950 lm	25
0000872	F16W/835	16W	95V	0.200A	720mm	1B	G13	3500K	1200 lm	25
0001077	F30W/835	30W	96V	0.365A	895mm	1B	G13	3500K	2400 lm	25
T8 Luxline Plus Special Length Cool White De Luxe (840)										
0000567	F15W/840	15W	55V	0.310A	438mm	1B	G13	4000K	950 lm	25
0000871	F16W/840	16W	95V	0.200A	720mm	1B	G13	4000K	1200 lm	25
0000874	F25W/28"/840	25W	80V	0.380A	691mm/28"	1B	G13	4000K	2000 lm	25
0000877	F25W/30"/840	25W	84V	0.360A	742mm/30"	1B	G13	4000K	2200 lm	25
0000878	F25W/33"/840	25W	90V	0.340A	818mm/33"	1B	G13	4000K	2300 lm	25
0001080	F30W/840	30W	96V	0.365A	895mm	1B	G13	4000K	2400 lm	25
0001504	F36W/1M/840	36W	80V	0.560A	970mm	1B	G13	4000K	3200 lm	25
0001520	F38W/840	38W	104V	0.430A	1047mm	1B	G13	4000K	3200 lm	25
T8 Luxline Plus Special Length Daylight Deluxe (865)										
0000947	F15W/865	15W	55V	0.310A	438mm	1B	G13	6500K	900 lm	25
0000875	F25W/28"/865	25W	80V	0.380A	691mm/28"	1B	G13	6500K	1800 lm	25
0000879	F25W/33"/865	25W	90V	0.340A	818mm/33"	1B	G13	6500K	2100 lm	25
0001078	F30W/865	30W	96V	0.365A	895mm	1B	G13	6500K	2300 lm	25

T8 Luxline® Plus Reflector



- T8 fluorescent lamp with a 200° internal reflector
- Directional control of light
- Approximately 75% of light is directed through a beam angle of 160°
- For optimising existing luminaires with no reflector
- High colour rendering due to Luxline Plus triphosphor (Class 1B)



	A	B	B	C	D
	max	min	max	max	nom
58W	1500.0	1504.7	1507.1	1514.2	26

T8 LUXLINE® PLUS REFLECTOR

Code	Description	Nominal			Lamp Colour	CRI Group	Cap	Luminous Colour Temp	Luminous Flux	Packing Qty.
		Watt	Lamp Volt	Current						
T8 LuxLine Plus Reflector										
0001537	FR58W/840	58W	110V	0.700A	Cool White Deluxe	1B	G13	4000K	5200 lm	25

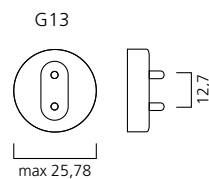


T8

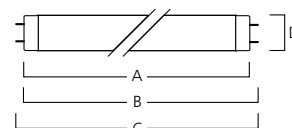
Luxline® Plus Shatter-Resistant



- Fluorescent lamp with a transparent VPE plastic sleeve
- Protection against glass splinters and other lamp parts
- Absorbs UV radiation below 380nm
- Maximum 5% decrease in light output compared to a standard lamp
- Colour temperature and colour rendering not affected
- Average rated life 10,000 hours
- This lamp should not be used in enclosed (IP65) fittings



	A max	B min	B max	C max	D nom
36W	970.0	974.7	977.1	984.2	26
58W	1500.0	1504.7	1507.1	1514.2	26



T8 LUXLINE® PLUS SHATTER-RESISTANT

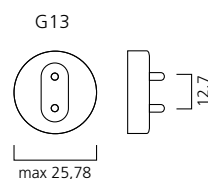
Code	Description	Nominal			Lamp Colour	CRI Group	Cap	Luminous Colour Temp	Luminous Flux	Packing Qty.
		Watt	Lamp Volt	Current						
T8 LuxLine Plus Shatter-Resistant										
0001517	F36W/840 Shatter-Resistant	36W	103V	0.430A	Cool White Deluxe	1B	G13	4000K	3180 lm	25
0001528	F58W/840 Shatter-Resistant	58W	110V	0.670A	Cool White Deluxe	1B	G13	4000K	4940 lm	25



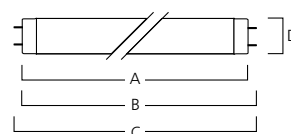
T8 Coloured



- Range of T8 fluorescent lamps with a coloured phosphor coating
- Available in red, yellow, green and blue colours
- Used to create special lighting effects in shop windows, bars, fairground attractions, dance halls and discotheques



	A max	B min	B max	C max	D nom
18W	589.8	594.5	596.9	604.0	26
36W	1199.4	1204.1	1206.5	1213.6	26
58W	1500.0	1504.7	1507.1	1514.2	26



T8 COLOURED

Code	Description	Watt	Nominal Lamp Volt	Current	Cap to Cap Length	Lamp Colour	Cap	Luminous Flux	Packing Qty.
T8 Coloured									
0002572	F 18W/T8/R	18W	57V	0.370A	590mm	Red	G13	30 lm	25
0002573	F 36W/T8/R	36W	103V	0.430A	1200mm	Red	G13	70 lm	25
0002574	F 58W/T8/R	58W	110V	0.670A	1500mm	Red	G13	100 lm	25
0002561	F 18W/T8/Y	18W	57V	0.370A	590mm	Yellow	G13	750 lm	25
0002565	F 36W/T8/Y	36W	103V	0.430A	1200mm	Yellow	G13	1550 lm	25
0002569	F 58W/T8/Y	58W	110V	0.670A	1500mm	Yellow	G13	2500 lm	25
0002562	F 18W/T8/G	18W	57V	0.370A	590mm	Green	G13	1200 lm	25
0002566	F 36W/T8/G	36W	103V	0.430A	1200mm	Green	G13	2800 lm	25
0002570	F 58W/T8/G	58W	110V	0.670A	1500mm	Green	G13	4000 lm	25
0002563	F 18W/T8/B	18W	57V	0.370A	590mm	Blue	G13	300 lm	25
0002567	F 36W/T8/B	36W	103V	0.430A	1200mm	Blue	G13	700 lm	25
0002571	F 58W/T8/B	58W	110V	0.670A	1500mm	Blue	G13	1000 lm	25

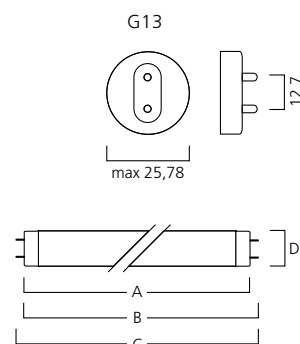
T12

Standard



- Wide range of standard T12 fluorescent lamps in various wattages and colours
- For use in luminaires and installations where T8 Standard is not suitable
- RS: Rapid Start in accordance with EN 60081

	A	B	B	C	D
	max	min	max	max	nom
20W	589.8	594.5	596.9	604.0	38
25W/1m	970.0	974.7	977.1	984.2	38
40W/1m	970.0	974.7	977.1	984.2	38
40W	1199.4	1204.1	1206.5	1213.6	38
65W	1500.0	1504.7	1507.1	1514.2	38
65/80W	1500.0	1504.7	1507.1	1514.2	38
75/85W	1763.8	1768.5	1770.9	1778.0	38
100W	2374.3	2379.0	2381.4	2388.5	38
125W	2374.3	2379.0	2381.4	2388.5	38



T12 STANDARD

Code	Description	Watt	Nominal Lamp Volt	Current	Cap to Cap Lamp Length	CRI Group	Cap	Luminous Colour Temp	Luminous Flux	Packing Qty.
T12 Standard Universal White (25-740)										
0001552	F20W/25-740 RS	20W	57V	0.370A	590mm	2A	G13	4000K	1050 lm	25
0000403	F40W/1M/25-740 RS	40W	81V	0.556A	970mm	2A	G13	4000K	2400 lm	25
0001555	F40W/25-740 RS	40W	103V	0.430A	1200mm	2A	G13	4000K	2500 lm	25
0001558	F65W/25-740 RS	65W	110V	0.670A	1500mm	2A	G13	4000K	4000 lm	25
T12 Standard Warm White (29-530)										
0001551	F20W/29-530 RS	20W	57V	0.370A	590mm	3	G13	3000K	1200 lm	25
0001554	F40W/29-530 RS	40W	103V	0.430A	1200mm	3	G13	3000K	3000 lm	25
0001557	F65W/29-530	65W	110V	0.670A	1500mm	3	G13	3000K	4800 lm	25
0000446	F65/80W/29-530	65W	110V	0.670A	1500mm	3	G13	3000K	4800 lm	25
0000446	F65/80W/29-530	80W	99V	0.870A	1500mm	3	G13	3000K	5500 lm	25
0001009	F75/85W/29-530	75W	130V	0.670A	1764mm	3	G13	3000K	6000 lm	25
0001009	F75/85W/29-530	85W	120V	0.800A	1764mm	3	G13	3000K	6400 lm	25
T12 Standard White (35-535)										
0001562	F20W/35-535 RS	20W	57V	0.370A	590mm	3	G13	3500K	1200 lm	25
0001563	F40W/35-535 RS	40W	103V	0.430A	1200mm	3	G13	3500K	3000 lm	25
0000444	F65/80W/35-535 RS	65W	110V	0.670A	1500mm	3	G13	3500K	4800 lm	25
0000444	F65/80W/35-535 RS	80W	99V	0.870A	1500mm	3	G13	3500K	5500 lm	25
0001008	F75/85W/35-535	75W	130V	0.670A	1764mm	3	G13	3500K	6000 lm	25
0001008	F75/85W/35-535	85W	120V	0.800A	1764mm	3	G13	3500K	6400 lm	25
0001028	F100W/35-535	100W	125V	0.960A	2400mm	3	G13	3500K	8200 lm	25
0001038	F125W/35-535	125W	149V	0.940A	2400mm	3	G13	3500K	9500 lm	25

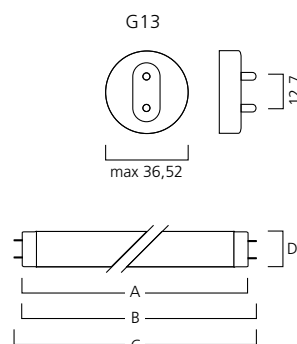
T12

Standard / Luxline® Plus



- Wide range of standard T12 fluorescent lamps in various wattages and colours
- For use in luminaires and installations where T8 Standard is not suitable
- RS: Rapid Start in accordance with EN 60081
- 100W and 125W with triphosphor coating with high colour rendering (Ra85/Class 1B)

	A max	B min	B max	C max	D nom
20W	589.8	594.5	596.9	604.0	38
25W/1m	970.0	974.7	977.1	984.2	38
40W/1m	970.0	974.7	977.1	984.2	38
40W	1199.4	1204.1	1206.5	1213.6	38
65W	1500.0	1504.7	1507.1	1514.2	38
65/80W	1500.0	1504.7	1507.1	1514.2	38
75/85W	1763.8	1768.5	1770.9	1778.0	38
100W	2374.3	2379.0	2381.4	2388.5	38
125W	2374.3	2379.0	2381.4	2388.5	38



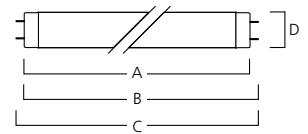
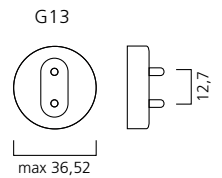
T12 STANDARD/LUXLINE® PLUS

Code	Description	Watt	Nominal Lamp Volt	Current	Cap to Cap Lamp Length	CRI Group	Cap	Luminous Colour Temp	Luminous Flux	Packing Qty.
T12 Standard Cool White (33-640)										
0001550	F20W/33-640 RS	20W	57V	0.370A	590mm	2B	G13	4000K	1200 lm	25
0000393	F25W/1M/33-640 RS	25W	94V	0.290A	970mm	2B	G13	4000K	1800 lm	25
0000399	F40W/1M/33-640 RS	40W	81V	0.556A	970mm	2B	G13	4000K	2800 lm	25
0001553	F40W/33-640 RS	40W	103V	0.430A	1200mm	2B	G13	4000K	3000 lm	25
0001556	F65W/33-640 RS	65W	110V	0.670A	1500mm	2B	G13	4000K	4800 lm	25
0000445	F65/80W/33-640 RS	65W	110V	0.670A	1500mm	2B	G13	4000K	4800 lm	25
0000445	F65/80W/33-640 RS	80W	99V	0.870A	1500mm	2B	G13	4000K	5500 lm	25
0001017	F75/85W/33-640	75W	130V	0.670A	1764mm	2B	G13	4000K	6000 lm	25
0001017	F75/85W/33-640	85W	120V	0.800A	1764mm	2B	G13	4000K	6400 lm	25
0001027	F100W/33-640	100W	125V	0.960A	2400mm	2B	G13	4000K	8200 lm	25
T12 Standard Daylight (54-765)										
0001559	F20W/54-765 RS	20W	57V	0.370A	590mm	2A	G13	6500K	1050 lm	25
0000391	F25W/1M/54-765 RS	25W	94V	0.290A	970mm	2A	G13	6500K	1600 lm	25
0000397	F40W/1M/54-765 RS	40W	81V	0.556A	970mm	2A	G13	6500K	2500 lm	25
0001560	F40W/54-765 RS	40W	103V	0.430A	1200mm	2A	G13	6500K	2500 lm	25
0001561	F65W/54-765 RS	65W	110V	0.670A	1500mm	2A	G13	6500K	4200 lm	25
0001138	F75/85W/54-765	75W	130V	0.670A	1764mm	2A	G13	6500K	5000 lm	25
0001138	F75/85W/54-765	85W	120V	0.800A	1764mm	2A	G13	6500K	5300 lm	25
T12 Luxline Plus Cool White De Luxe (840)										
0001029	F100W/840	100W	125V	1.0A	2400mm	1B	G13	4000K	9300 lm	25
0001037	F125W/840	125W	145V	1.0A	2400mm	1B	G13	4000K	10500 lm	25

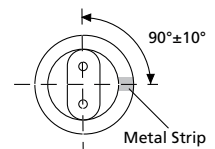
T12 IRS



- T12 fluorescent lamp with a resistor cap, 3.6V electrodes and an external ignition stripe
- For an immediate, soft and flicker-free start
- For rapid start or semi-resonant ballast
- Dimmable T12 lamp



	A	B	B	C	D
	max	min	max	max	nom
20W	589.8	594.5	596.9	604.0	38
40W	1199.4	1204.1	1206.5	1213.6	38
65W	1500.0	1504.7	1507.1	1514.2	38



T12 IRS

Code	Description	Watt	Nominal Lamp Volt	Current	Cap to Cap Lamp Length	CRI Group	Cap	Luminous Colour Temp	Luminous Flux	Packing Qty.
T12 IRS Warm White (29-530)										
0000424	F20W/29-530-IRS	20W	57V	0.370A	590mm	3	G13	3000K	1200 lm	25
0000431	F40W/29-530-IRS	40W	103V	0.430A	1200mm	3	G13	3000K	3000 lm	25
T12 IRS Cool White (33-640)										
0000423	F20W/33-640-IRS	20W	57V	0.370A	590mm	2B	G13	4000K	1200 lm	25
0000430	F40W/33-640-IRS	40W	103V	0.430A	1200mm	2B	G13	4000K	3000 lm	25
0000438	F65W/33-640-IRS	65W	110V	0.670A	1500mm	2B	G13	4000K	4800 lm	25

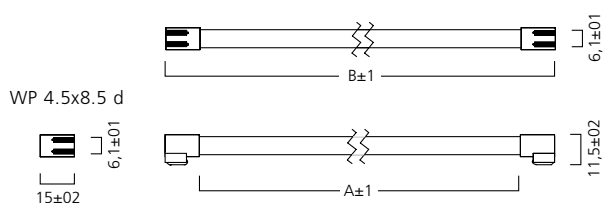


T2 Luxline® Slim



- Wide range of ultra-slim fluorescent lamps allowing a high degree of design flexibility
- Colour rendering Ra80-89 / class 1B
- Operate on electronic control gear
- Average rated life >8000 hrs

	A nom	B nom
6W	176	206
8W	287	308
11W	378	408
13W	479	509
21W	783	813
23W	883	913



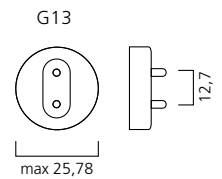
T2 LUXLINE® SLIM

Code	Description	Nominal Watt	Nominal Lamp Volt	Current	Cap to Cap Lamp Length	CRI Group	Cap	Luminous Colour Temp	Luminous Flux	Packing Qty.
T2 Luxline Slim Warm White De Luxe (830)										
0002006	T2 6W/830	6W	51V	0.100A	206mm	1B	WP4.5x8.5d	3000K	275 lm	20
0002007	T2 8W/830	8W	79V	0.100A	308mm	1B	WP4.5x8.5d	3000K	450 lm	20
0002008	T2 11W/830	11W	110V	0.100A	408mm	1B	WP4.5x8.5d	3000K	620 lm	20
0002009	T2 13W/830	13W	133V	0.100A	509mm	1B	WP4.5x8.5d	3000K	800 lm	20
0002010	T2 21W/830	21W	210V	0.100A	813mm	1B	WP4.5x8.5d	3000K	1300 lm	20
0002011	T2 23W/830	23W	230V	0.100A	913mm	1B	WP4.5x8.5d	3000K	1400 lm	20
T2 Luxline Slim Cool White De Luxe (840)										
0002012	T2 6W/840	6W	51V	0.100A	206mm	1B	WP4.5x8.5d	4000K	275 lm	20
0002013	T2 8W/840	8W	79V	0.100A	308mm	1B	WP4.5x8.5d	4000K	450 lm	20
0002014	T2 11W/840	11W	110V	0.100A	408mm	1B	WP4.5x8.5d	4000K	620 lm	20
0002015	T2 13W/840	13W	133V	0.100A	509mm	1B	WP4.5x8.5d	4000K	800 lm	20
0002016	T2 21W/840	21W	210V	0.100A	813mm	1B	WP4.5x8.5d	4000K	1300 lm	20
0002017	T2 23W/840	23W	230V	0.100A	913mm	1B	WP4.5x8.5d	4000K	1400 lm	20
T2 Luxline Slim Daylight De Luxe (860)										
0002018	T2 6W/860	6W	51V	0.100A	206mm	1B	WP4.5x8.5d	6000K	275 lm	20
0002019	T2 8W/860	8W	79V	0.100A	308mm	1B	WP4.5x8.5d	6000K	450 lm	20
0002020	T2 11W/860	11W	110V	0.100A	408mm	1B	WP4.5x8.5d	6000K	620 lm	20
0002021	T2 13W/860	13W	133V	0.100A	509mm	1B	WP4.5x8.5d	6000K	800 lm	20
0002022	T2 21W/860	21W	210V	0.100A	813mm	1B	WP4.5x8.5d	6000K	1300 lm	20
0002023	T2 23W/860	23W	230V	0.100A	913mm	1B	WP4.5x8.5d	6000K	1400 lm	20

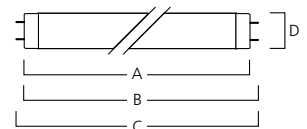
T8 Luxline® Eco



- T8 fluorescent lamp with high colour rendering and excellent lumen maintenance
- Colour rendering: Ra80-89/Class 1B
- High luminous efficacy
- Average rated life 15000 hours (based on 3hrs burning cycle)
- Operates on conventional and electronic ballasts
- Meets the lighting requirements as specified in the European Standard EN 12464-1 for workplaces
- Intended to replace standard halophosphor T8 lamps offering 10% energy saving with no loss in light output
- Retrofit with standard T8 lamps



	A max	B min	B max	C max	D nom
32W	1199.4	1204.1	1206.5	1213.6	26
51W	1500.0	1504.7	1507.1	1514.2	26



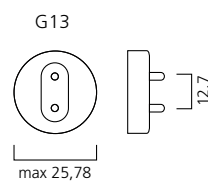
T8 LUXLINE® Eco

Code	Description	Watt	Nominal Lamp Volt	Current	Cap to Cap Lamp Length	CRI Group	Cap	Luminous Colour Temp	Luminous Flux	Packing Qty.
T8 Luxline Eco Warm White De Luxe (830)										
0001605	F32W/830 T8 ECO	32W	91V	0.450A	1200mm	1B	G13	3000K	2900 lm	25
0001609	F51W/830 T8 ECO	51W	96V	0.700A	1500mm	1B	G13	3000K	4700 lm	25
T8 Luxline Eco Cool White De Luxe (840)										
0001607	F32W/840 T8 ECO	32W	91V	0.450A	1200mm	1B	G13	4000K	2900 lm	25
0001610	F51W/840 T8 ECO	51W	96V	0.700A	1500mm	1B	G13	4000K	4700 lm	25
T8 Luxline Eco Cool White De Luxe (865)										
0001608	F32W/865 T8 ECO	32W	91V	0.450A	1200mm	1B	G13	6500K	2750 lm	25
0001612	F51W/865 T8 ECO	51W	96V	0.700A	1500mm	1B	G13	6500K	-	25

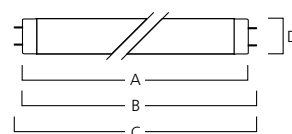
T8 Luxline® Supercolour



- Multi-phosphor coating for highest colour rendering
- Make colours look natural and vibrant
- Particularly useful in applications where colour rendering is a benefit
- eg shops to help make merchandise look more attractive
- Colour rendering Ra90-99 / class 1A



	A	B	B	C	D
	max	min	max	max	nom
18W	589.8	594.5	596.9	604.0	26
36W	1199.4	1204.1	1206.5	1213.6	26
58W	1500.0	1504.7	1507.1	1514.2	26



T8 LUXLINE® SUPERCLOUR

Code	Description	Watt	Nominal Lamp Volt	Current	Cap to Cap Lamp Length	CRI Group	Cap	Luminous Colour Temp	Luminous Flux	Packing Qty.
T8 Luxline Supercolour		Cool White De Luxe (940)								
0001580	F18W/940	18W	57V	0.370A	590mm	1A	G13	4000K	1200 lm	25
0001581	F36W/940	36W	103V	0.430A	1200mm	1A	G13	4000K	2900 lm	25
0001582	F58W/940	58W	110V	0.670A	1500 mm	1A	G13	4000K	4600 lm	25

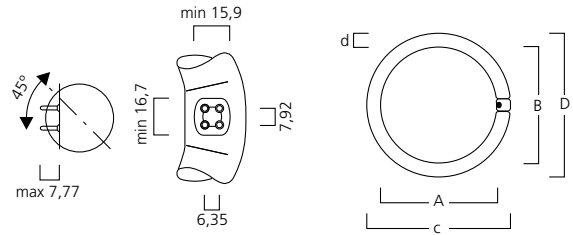


T9

Circline Plus



- T9 circular fluorescent lamps
- Suitable in a wide range of round and square shaped luminaires for various purposes
- For commercial and domestic lighting
- Colour rendering Ra80-89 / class 1B
- High luminous efficacy



	A	A	B	B	C or D	C or D	d	d
	min	max	min	max	min	max	min	max
22W	149.1	155.6	147.6	157.2	203.2	215.9	26.2	30.9
32W	239.7	246.1	236.5	246.1	292.1	304.8	26.2	30.9
40W	341.3	347.7	338.1	347.7	393.7	406.4	26.2	30.9

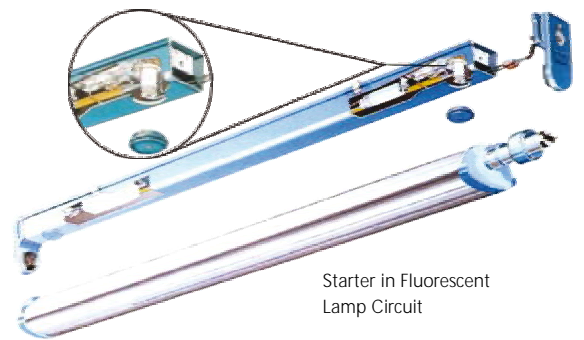
T9 CIRCLINE PLUS

Code	Description	Watt	Nominal Lamp Volt	Current	Cap to Cap Lamp Length	CRI Group	Cap	Luminous Colour Temp	Luminous Flux	Packing Qty.
T9 Circline Plus Warm White De Luxe (830)										
0001960	FC22/830	22W	62V	0.400A	216mm Ø	1B	G10q	3000K	1300 lm	12
0001963	FC32/830	22W	84V	0.450A	305mm Ø	1B	G10q	3000K	2300 lm	12
0001966	FC40/830	22W	115V	0.415A	406mm Ø	1B	G10q	3000K	3000 lm	12
T9 Circline Plus Cool White De Luxe (840)										
0001961	FC22/840	32W	62V	0.400A	216mm Ø	1B	G10q	4000K	1300 lm	12
0001964	FC32/840	32W	84V	0.450A	305mm Ø	1B	G10q	4000K	2300 lm	12
0001967	FC40/840	32W	115V	0.415A	406mm Ø	1B	G10q	4000K	3000 lm	12
T9 Circline Plus Daylight De Luxe (865)										
0001962	FC22/865	40W	62V	0.400A	216mm Ø	1B	G10q	6500K	1250 lm	12
0001965	FC32/865	40W	84V	0.450A	305mm Ø	1B	G10q	6500K	2300 lm	12
0001968	FC40/865	40W	115V	0.415A	406mm Ø	1B	G10q	6500K	2900 lm	12

FS STANDARD STARTERS



- Reliable and fast starting
- Suitable for temperatures from -20°C to +80°C
- For single and twin lamp operation
- Testhouse approved and ENEC/DVE marked



FS STANDARD STARTERS

Code	Description	Watt	Volt	Lamp Type	Circuit	Packing Qty	
FS Standard Starters							
0024434	FS-11	4, 6, 8, 13W	220-240V	T5	Single	25/500/1000	
		14, 15, 16, 18, 25, 36, 38, 58W	220-240V	T8	Single		
		20, 40, 65W	220-240V	T12	Single		
		22, 32, 40, 60W	220-240V	Circline	Single		
		18, 24, 36W	220-240V	CF-L	Single		
0024436	FS-11	As Above	220-240V	As Above	Single	500/1000 Industrial Pack	
0024455	FS-22	4, 6, 8W	120V	T12	Single	25/500/1000	
			4, 6, 8W	230V	T12		Twin
		14, 15, 18W	120V	T8	Single		
		14, 15, 18W	230V	T8	Twin		
		20W	120V	T12	Single		
		20W	230V	T12	Twin		
		22W	120V	Circline	Single		
		22W	230V	Circline	Twin		
		18W	120V	CF-L	Single		
		18W	230V	CF-L	Twin		
		18W	120V	CF-F	Single		
		18W	230V	CF-F	Twin		
		0024437	FS-22	As Above	As Above		As Above

COP SAFETY STARTERS



- Quick-start without increasing the starting current
- Immediate switch off in case of flickering or defective lamp (end of life)
- Prevents overheating of the ballast
- Extended life compared to standard starters
- Reduced maintenance cost due to longer life time
- For single lamp operation
- Testhouse approved and ENEC/VDE marked

COP SAFETY STARTERS

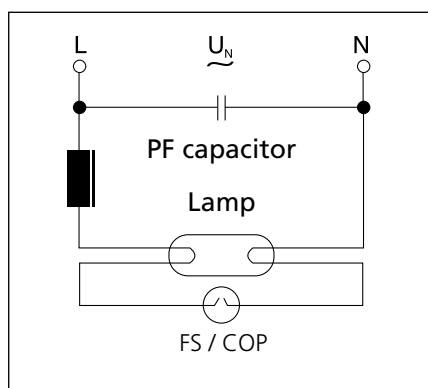
Code	Description	Watt	Volt	Lamp Type	Circuit	Packing Qty
COP Safety Starters						
0024471	COP-11A	36, 58W	220-240V	T8	Single	25/100/1000
		40, 65W	220-240V	T12	Single	
		32, 40, 60W	220-240V	Circline	Single	
		18, 24, 36W	220-240V	CF-L	Single	



FLUORESCENT TUBES

Circuit Diagrams

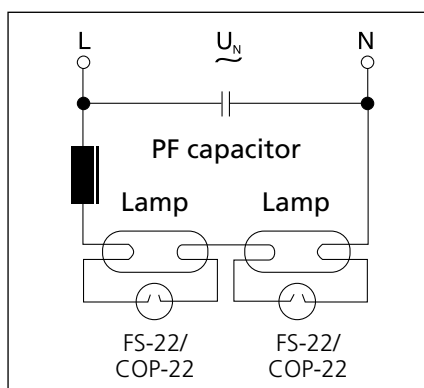
Switchstart



SWITCHSTART

The most common circuit using a ballast and glow starter which effects electrode pre-heating. When the starter contacts open the ballast supplies the starting voltage. Reliable starting is from -5°C to $+50^{\circ}\text{C}$. Use FS-11 or COP-11 starters.

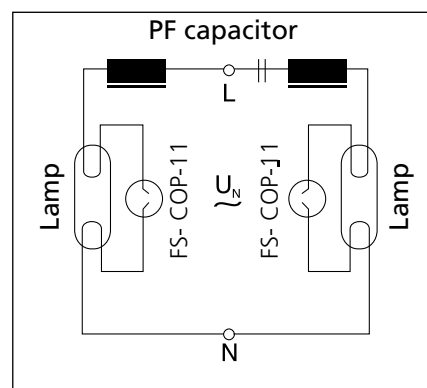
Series Twin



SERIES TWIN

A circuit used for most lamp types up to 20W. Two fluorescent lamps are run in series using one ballast but with individual starters operating as above. Use FS-11 or COP-11 starters.

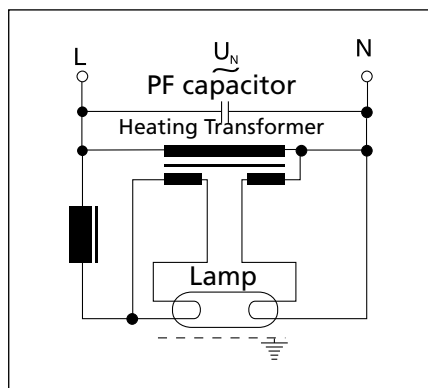
Lead/Lag



LEAD/LAG

A common circuit combination for Twin lamp luminaires, with high power factor and less likelihood of flicker. Use FS-11 or COP-11 starters.

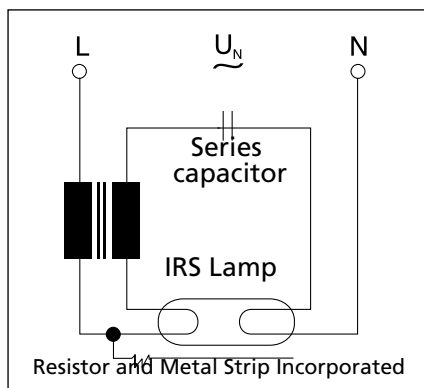
Rapid-Start



RAPID-START

A circuit giving flicker-free instant starting and increased lamp life. The lamp is operated in series with a standard ballast. The electrode pre-heating voltage is provided by a separate transformer. Reliable starting from -10°C to $+40^{\circ}\text{C}$.

Semi-Resonant

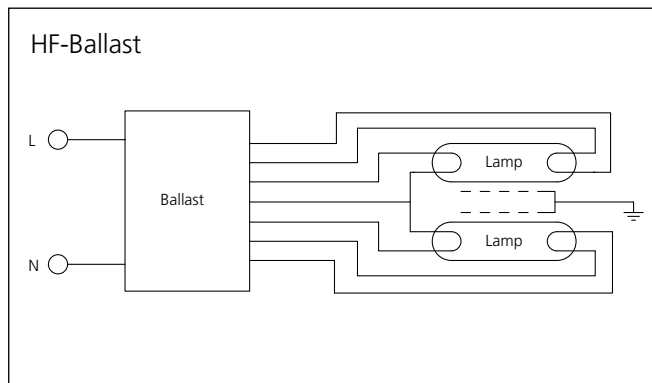


SEMI-RESONANT

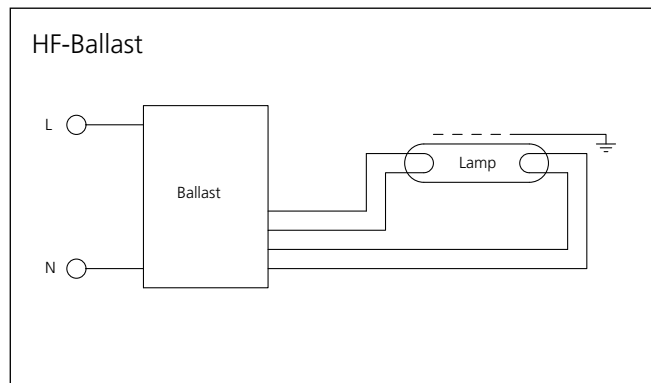
A circuit with flicker-free instant start and electrode pre-heating. An electrical resonance occurs between the secondary winding of the ballast and the capacitor, amplifying the mains voltage for starting the IRS metal stripped lamp.

- L = Live conductor
- N = Neutral conductor
- L = external conductor L_1, L_2, L_3
- N = median conductor MP
- UN = power supply 230V
- B = ballast
- PF = power factor capacitor
- KZ = start-up capacitor

SINGLE LAMP OPERATION

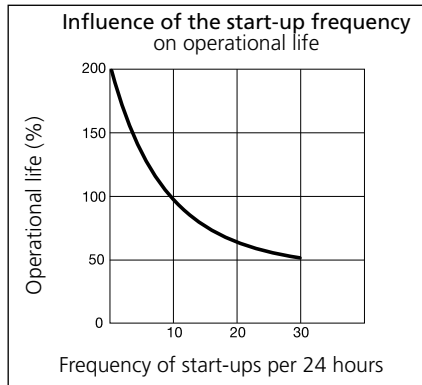
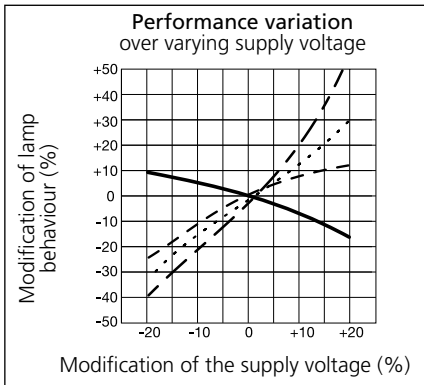


TWIN LAMP OPERATION



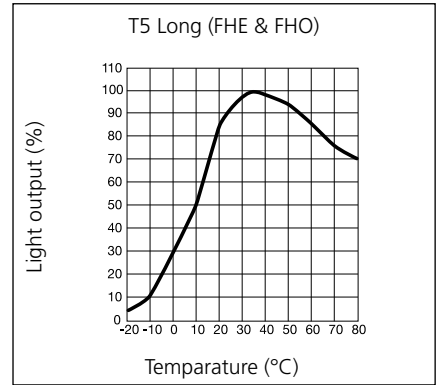
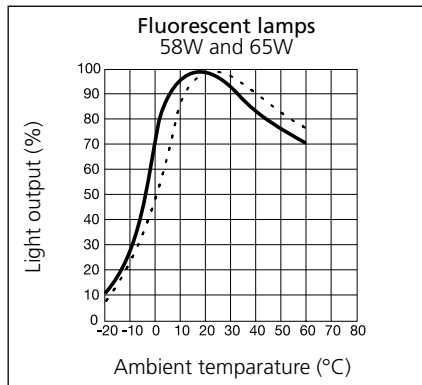
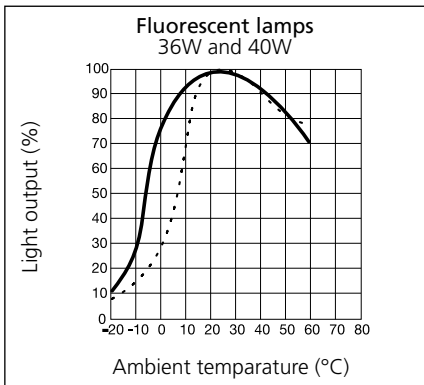
FLUORESCENT TUBES

Operating Characteristics



- I_L ——— lamp current
- P_L ····· lamp conductor
- Φ - - - light output
- U_L - - - lamp voltage

RELATIONSHIP BETWEEN AMBIENT TEMPERATURE AND LIGHT OUTPUT



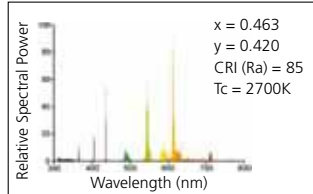
- F36w
- F40W

- F58w
- F65W

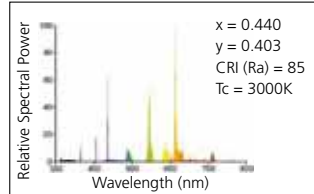
FLUORESCENT TUBES

Spectral Power Distribution

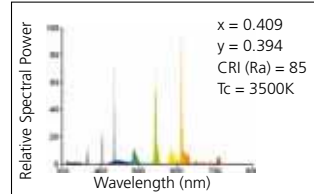
Homelight Deluxe - 827



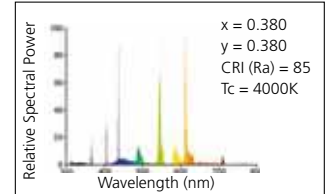
Warm White Deluxe - 830



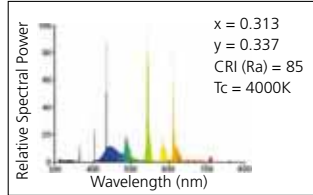
White Deluxe - 835



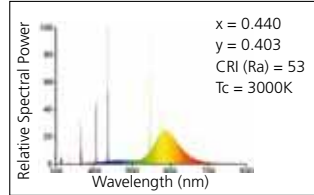
Cool White Deluxe - 840



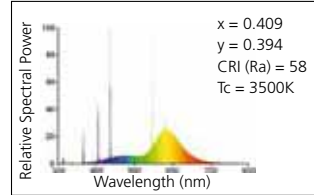
Daylight Deluxe - 865



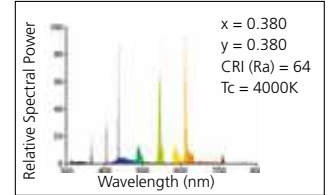
Warm White 29 - 530



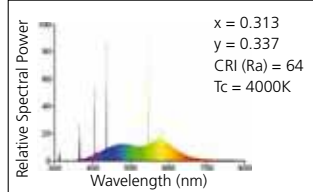
White 35 - 535



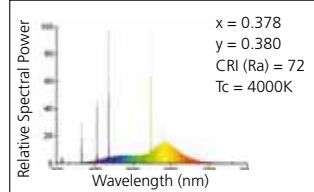
Cool White 33 - 640



Daylight 54 - 765



Universal White 25 - 740

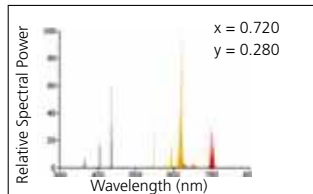


	Sylvania	Osram	Philips	GE
Halo-phosphor	33-640	640	33-640	133
	29-530	530	29-530	129
	25-740	740	25-740	125
	35-535	535	35-535	135
	54-765	765	54-765	154
Tri-phosphor	840	840	840	840
	830	830	830	830
	827	827	827	827
	835	835	835	835
	860	860	860	860

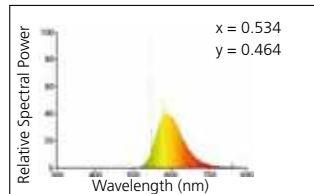
8 means CRI (Ra) > 80
colour description
27 means Tc = 2700K

33 is a reference to the old
name for these lamps '133',
no link to technical specifications
6 means CRI (Ra) >60
40 means Tc = 4000 K

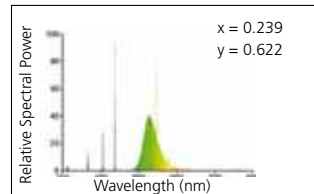
Red



Yellow



Green



Blue

