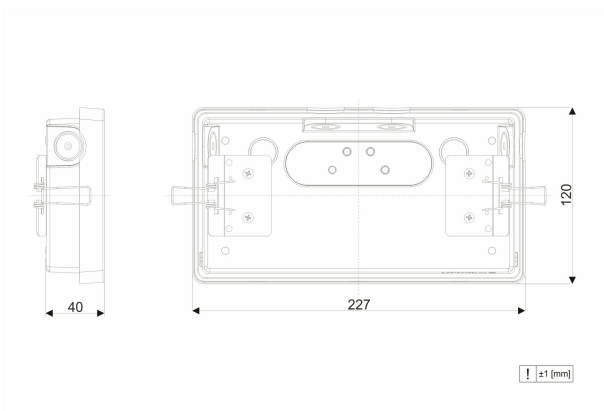
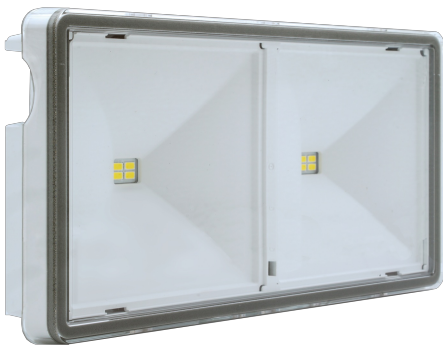




# TM.ONTEC S20 M1X 60/180 M/NM ST

TM-S2.MXSTX060W



## PARAMETERS

60/180	default 1h   M/NM possibility change to 3h   M/NM
Application	anti-panic lighting
IP	IP65/IK08
IK	IK08
Version	ST – for button test
Power supply	210+250 V AC 50+60 Hz
Power supply CB	186+254 V DC
Temperature range	5-40 °C
Material	PC
Colour	RAL9003
Duration time	1 h
Operating mode	M
Active power	3.6 W
Insulation class	2
Luminous flux	371 (1h); 154 (3h) lm
Battery	LiFePO4/C 3.2V 1.5Ah

