

# EMERGENCY BULKHEAD

110V MAINTAINED / NON-MAINTAINED



Our 110V Emergency Bulkhead offers safe illumination in the event of an on-site power failure. Configurable as maintained or non-maintained operation, it is also supplied with a self-adhesive exit legend.

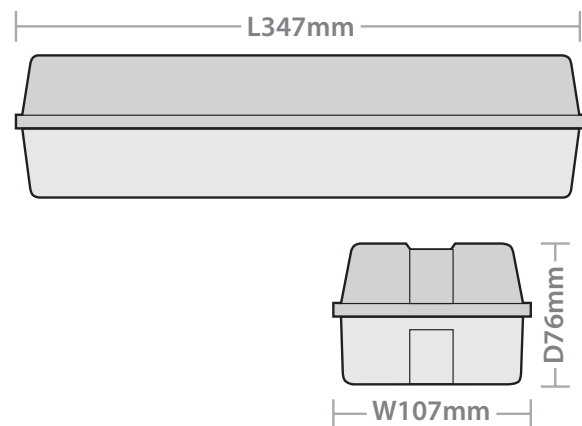
## Features

- Maintained or non-maintained operation
- Supplied with self-adhesive exit legend
- Deep discharge & overcharge protection

## Specification

<b>Material:</b>	Polycarbonate
<b>Colour Temperature:</b>	6000K
<b>Colour Finish:</b>	Yellow
<b>LED Lifetime:</b>	L70B50 50,000 Hrs
<b>IP Rating:</b>	IP65
<b>IK Rating:</b>	IK08
<b>Working Temperature:</b>	0°C to 40°C
<b>Power Factor:</b>	0.29
<b>Electrical Class:</b>	Class I
<b>Emergency Battery Type:</b>	Ni-Cd
<b>Guarantee:</b>	1 Year

## Dimensions



Product Code	Description	Wattage	Lumen Output	Emergency Lumen Output	Net Weight	Barcode
110AC50LED	110V Emergency Maintained / Non Maintained Bulkhead	3.3W	266 lm	103 lm/W	0.63	5055807616737



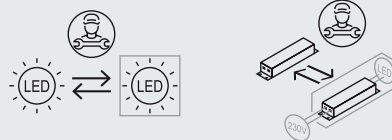
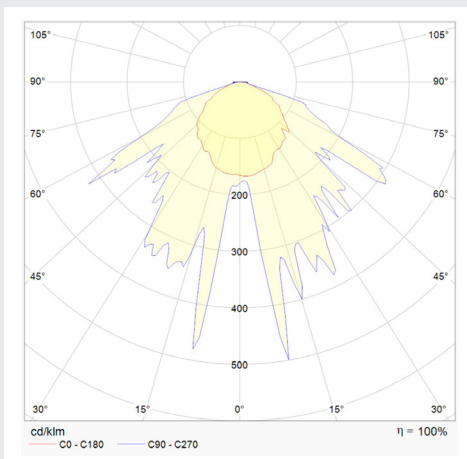
EXIT LEGEND

**Spacing Tables**

110AC50LED Open Area				
Mount Height (m)	Open Area 0.5 Lux min (m)			
Self Contained				
2.5	2.6	6.5	4.1	9.2
2.8	2.4	6.8	3.4	9.89
3.0	2.5	6.9	3.5	10.2
4.0	2.0	6.9	3.9	9.6
5.0	1.1	6.5	3.1	9.7

110AC50LED Escape Route		
Mount Height (m)	Escape Route 1 Lux min (m)	
Self Contained		
2.5	1.6	5.0
2.8	1.4	4.9
3.0	1.3	4.9
4.0	-	-

**Light Distribution Curve**



[www.redarrowelectrical.co.uk](http://www.redarrowelectrical.co.uk)