



# BD5D

## EXTERNAL LED CIRCULAR AMENITY LIGHT

### DESCRIPTION

The BLE BD5D LED circular amenity light is a stylish low profile design light fitting. Built with a polycarbonate housing and diffuser, it is suitable for most applications, both internal and external, as it has a protection rating of IP65.

The fitting can support either maintained or non-maintained operation as it features dual circuit technology which provides flexibility for the installer. Tested to BS EN 60598-2-22.



### FEATURES

- LED Gear Tray
- Reduced Power Consumption
- Charge Healthy LED Indicator
- Modern Round Design
- Surface Mounted

### OPTIONS

- 230 Volt Mains Version
- Microwave Sensor
- Self Test Version

### SPECIFICATIONS

- 14.8 Watt LED Array
- IP65 Protection Rating
- 3-Hour Emergency Duration
- Maintained Operation - Dual Circuit Technology
- White Polycarbonate Housing
- Polycarbonate Opal Diffuser
- Tested to BS EN 60598-2-22

### APPLICATIONS

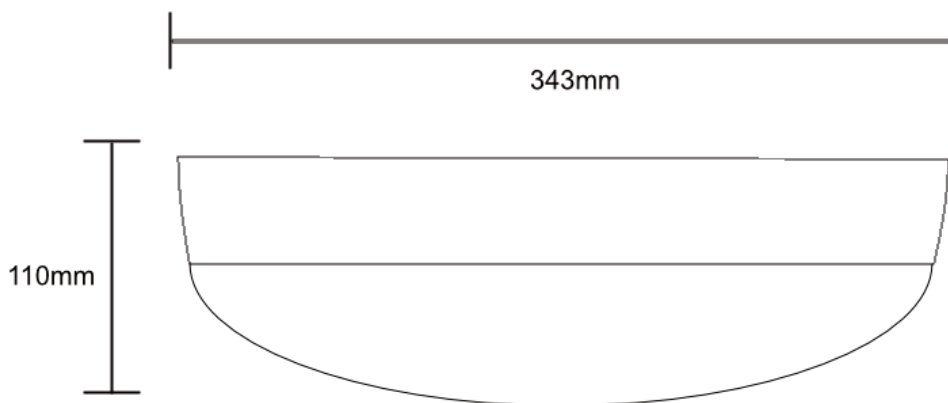
- Internal or External Emergency Lighting

# TECHNICAL SPECIFICATION: BD5D EXTERNAL LED CIRCULAR LIGHT





Product Codes: BD5D/LED/M3/W - BD5D/LED/230/W - BD5D/LED/M3/W/MS - BD5D/LED/230/W/MS

## DIMENSIONS

A 343mm X B 110mm



## Product Specification

Product Name	BD5D External LED Circular Amenity Light								
Product Code	BD5D/LED/M3/W Self Contained Luminaire	BD5D/LED/230/W Mains Luminaire	BD5D/LED/M3/W/MS Self Contained Luminaire	BD5D/LED/M3/W/MS Mains Luminaire					
Input Voltage	230V AC +/- 10%								
Input Frequency	50Hz								
Power Consumption	12.9W	10.5W	14.8W	12.5W					
IP Rating	IP65								
Light Source	LED Array								
Lumens Output	1038/203lm	1038lm	1038/203lm	1038lm					
Light Output	9.9W	9.9W	9.9W	9.9W					
Beam Angle	113°	114.5°	113°	114.5°					
Colour Temperature	6000-7000K	6000-7000K	6000-7000K	6000-7000K					
Operating Temperature	0°C - 40°C	0°C - 40°C	0°C - 40°C	0°C - 40°C					
Emergency Duration	3 Hours	3 Hours	3 Hours	3 Hours					
Self Test	No (Self-Test version available)	Not Applicable	No (Self-Test version available)	Not Applicable					
Battery Type	3.6V 1.5Ah Nickle Cadmium	Not Applicable	3.6V 1.5Ah Nickle Cadmium	Not Applicable					
Charge Current	130mA	Not Applicable	130mA	Not Applicable					
Discharge Current	500mA	Not Applicable	500mA	Not Applicable					
Recharge Time	24 Hours	Not Applicable	24 Hours	Not Applicable					
Weight	1.0kg	2.0kg	1.0kg	2.0kg					
PRODUCT REFERENCE	Mounting Height [m]	Transverse to Wall [m] 		Transverse Spacing [m] 		Axial to Wall [m] 		Axial Spacing [m] 	
		0.5 Lux	1 Lux	0.5 Lux	1 Lux	0.5 Lux	1 Lux	0.5 Lux	1 Lux
BD5D/LED/M3/W BD5D/LED/230/W	2.50	2.80	1.90	7.30	5.50	2.80	1.90	7.30	5.50
	4.00	2.50	N/A	7.70	4.90	2.50	N/A	7.70	4.90
	6.00	N/A	N/A	6.60	N/A	N/A	N/A	6.60	N/A



BLE Lighting & Power Limited, Church Street, Eckington, S21 4BH  
Tel: 01246 432325 Fax: 01246 432324 Email: sales@blelighting.co.uk

[www.blelighting.co.uk](http://www.blelighting.co.uk)