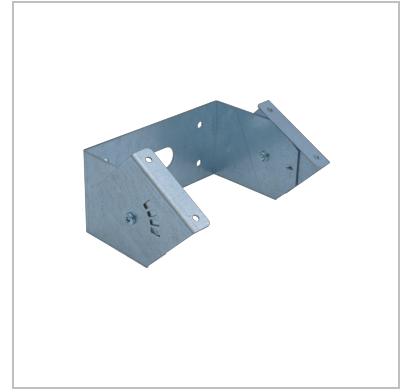
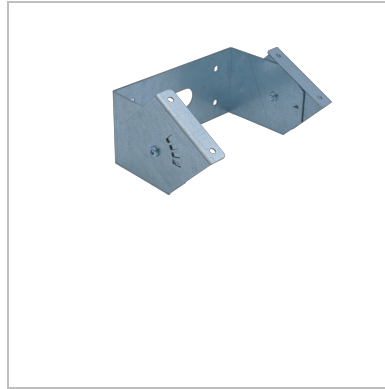


# MOUNTING KIT ADJUSTABLE

CATALOG CODE  
TM-AKC.IT050

DEDICATED TO FITTINGS:  
ITECH C1, C2, ITECH F1, F2, ITECH M1, M2, M5, ITECH S1, S2, ITECH W1, W2



APPLICATION

## TECHNICAL PARAMETERS

